

PRESS RELEASE

NEW SU-matic OKUMA catalogs for the lathes SPACE TURN LB4000 EX and LU4000 EX

It is a pleasure to present our NEW SU-matic OKUMA catalogs for the lathes SPACE TURN LB4000 EX and LU4000 EX.

SU-matic®  Tooling expert.




Tool Holders for
OKUMA

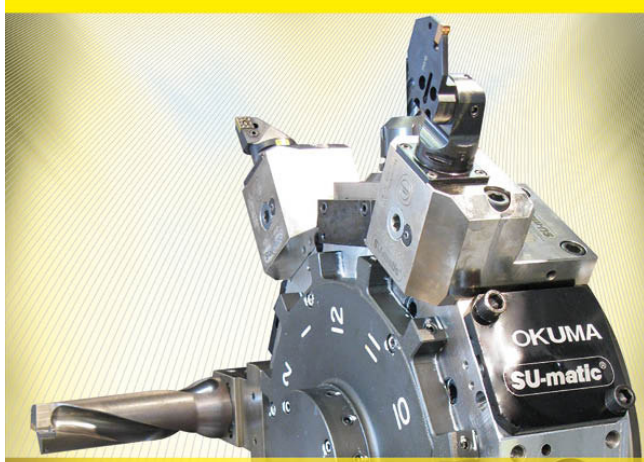
LB4000 EX
M / MY



SUNDER
EXPERTS. SINCE 1914.




SU-matic®  Tooling expert.




Tool Holders for
OKUMA

LU4000 EX
M / MY



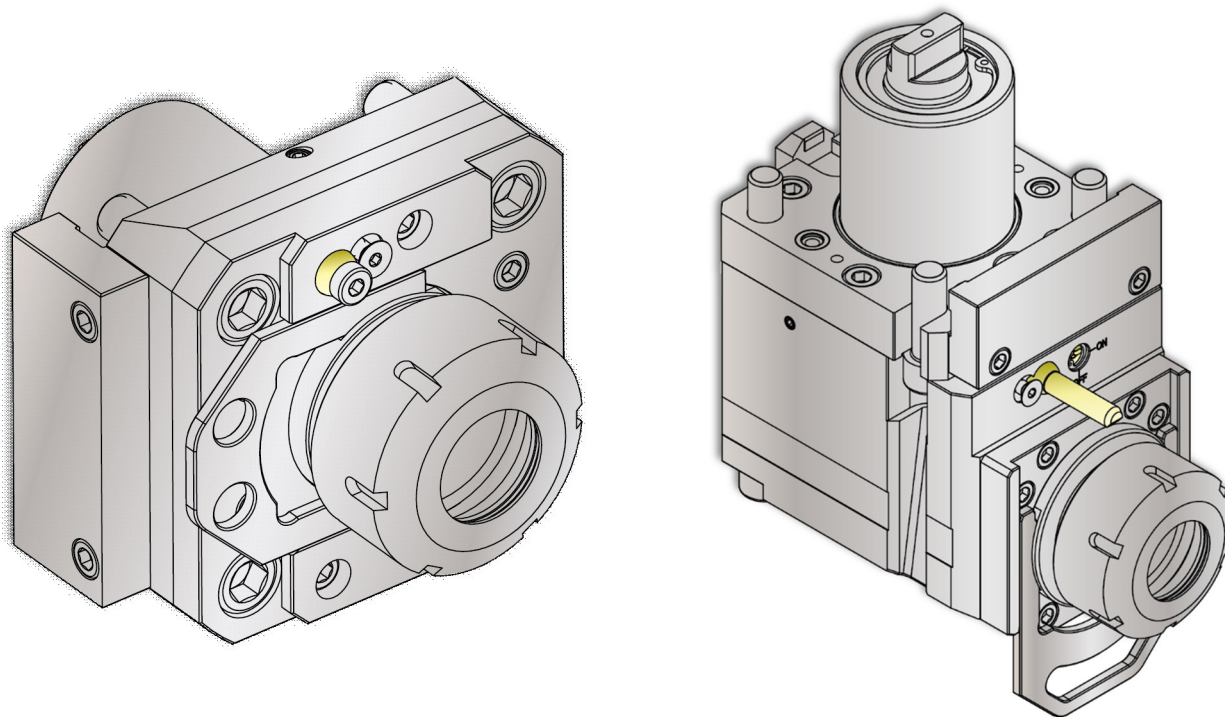
SUNDER
EXPERTS. SINCE 1914.



With the launch of the new catalogs for the lathes SPACE TURN LB4000 EX, we are proud to announce that we introduced new features to our live tools, which will be available shortly.

If you use our live tools for the lathes SPACE TURN LB4000 EX and LU4000 EX you will have the following additional benefits:

- Easier tool change
- Higher torque transmission and higher axial load
- Axial units can work without any coolant, qualified for dry run, coolant pressure up to 100 bar possible



You will find our NEW catalogs on our website, for download.

<http://www.su-matic.com/en/home.html>