

## PRESS RELEASE

### NEW SU-matic MIYANO precision tool holder catalog for the lathe BNA

It is a pleasure to present you our NEW SU-matic MIYANO precision tool holder catalog for the lathe BNA and ABX.

**SUHNER**  
AUTOMATION

**SU-matic®**



Tool Holders for  
**Miyano**

**BNA 32**  
S / C / DHY / MSY / GTY

**BNA 42**  
S / C / DHY / MSY / GTY



**SUHNER**  
EXPERTS. SINCE 1914.



**SUHNER**  
AUTOMATION

**SU-matic®**



Tool Holders for  
**Miyano**

**ABX 51**  
SYY / THY

**ABX 64**  
SYY / THY



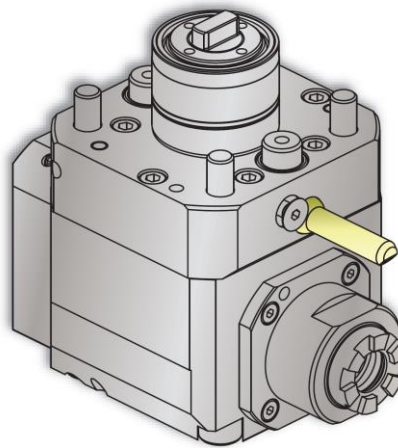
**SUHNER**  
EXPERTS. SINCE 1914.



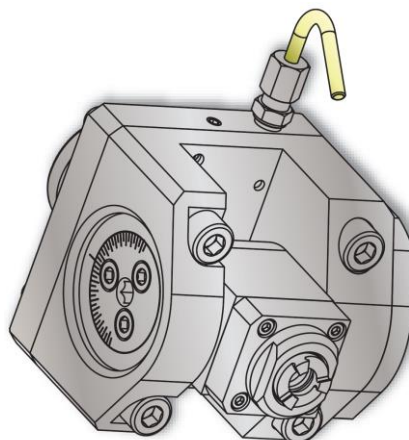
With the launch of the new catalog for the lathe BNA and ABX, we are proud to announce that we introduced new features to our precision tool holder which will be available shortly.

If you use our precision tool holder for the lathes BNA and ABX, you will have the following additional benefit:

- Axial units can work without any coolant, qualified for dry run, coolant pressure up to 100 bar possible



We are pleased to announce our new developed precision tool holder for MIYANO, which is celebrated with the launch of the NEW catalog. We are introducing our NEW adjustable live tool holder with the range from 0° to 90° for the MIYANO BNA.



You will find our NEW catalog on our website for download.

<http://www.su-matic.com/en/finder/manufacturers/miyano.html?masch=5>

## SU-matic Corp.

SU-matic Corp. a worldwide leader manufacturer of precision toolholders like multispindle, angle and drum turrets and sells premium products in all forms and variants for the metal processing industry. Our precision toolholders are manufacturer in compliance with the DIN standards for the interfaces specified by the machine tool manufacturers worldwide. SU-matic Corp. is a international successful company, how is a leader in the industry's innovation and technology for nearly 30 years, our collaboration with the different machine tool manufacture is very closely for the developing our own.

The headquartered of the company is in Brugg, nearly Zurich. SU-matic Corp. is a part of the family owned Suhner Holding Corp., how are supported by over 700 employees world wide, with the focus of developing and realising solutions for the improvement of industrial products and processes for over one hundred years.










### Contact for readers:

Patrick Bolliger, Marco Pedrotti

Phone: +41 56 464 29 90, E-Mail [infoline.su-matic.ch@suhner.com](mailto:infoline.su-matic.ch@suhner.com)

We are happy to provide you with further information upon request.

---

				
 Switzerland	SU-matic AG	Lupfig	<a href="mailto:infoline.su-matic.ch@suhner.com">infoline.su-matic.ch@suhner.com</a>	+41 (0)56 464 29 90
 USA	SUHNER Industrial Products Corp.	Rome, GA	<a href="mailto:automation.usa@suhner.com">automation.usa@suhner.com</a>	+1 (706) 235-8046
 France	Suhner Groupe Maintenance	Marignier	<a href="mailto:infoline.su-matic.ch@suhner.com">infoline.su-matic.ch@suhner.com</a>	+33 (0)64 575 13 04
 Italy	Suhner SU-matic S.r.L.	Zola Predosa	<a href="mailto:info.su-matic.it@suhner.com">info.su-matic.it@suhner.com</a>	+39 051 6 16 66 73
 Japan	S&F Inc.	Tokyo	<a href="mailto:info@sandfinc.co.jp">info@sandfinc.co.jp</a>	+81 35 714 50 50